

INTEGRATED CONNECTOR MODULES

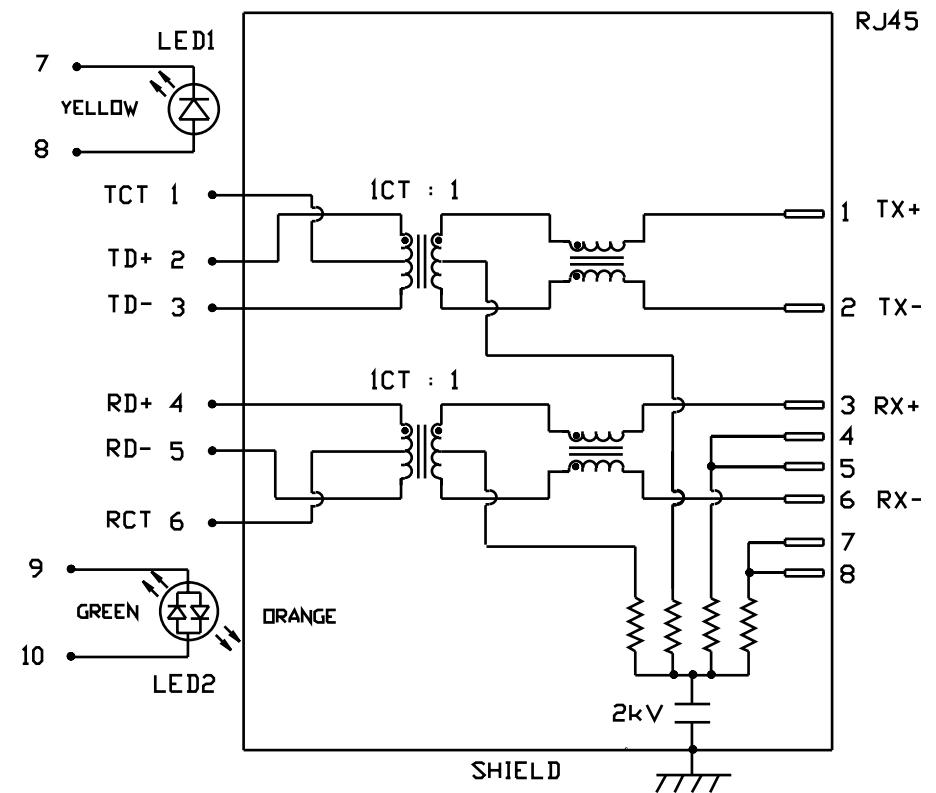
0810-1X4T-36 10/100Base-TX Extended Temp MagJack® 1 x 4 with LEDs

- Extended operating temperature -40° to +85° C

ELECTRICAL CHARACTERISTICS @ 25°C

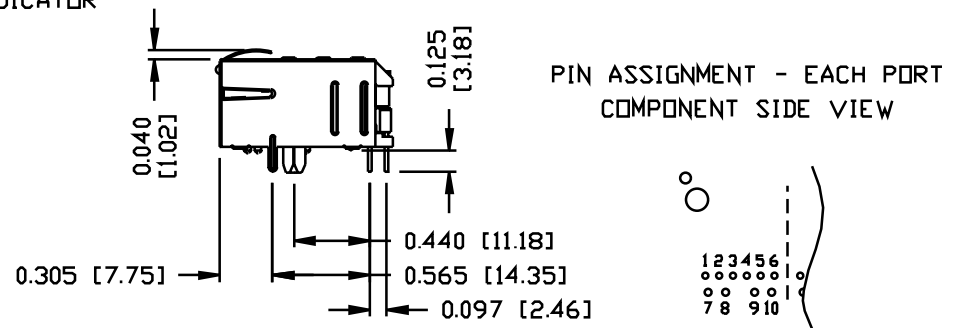
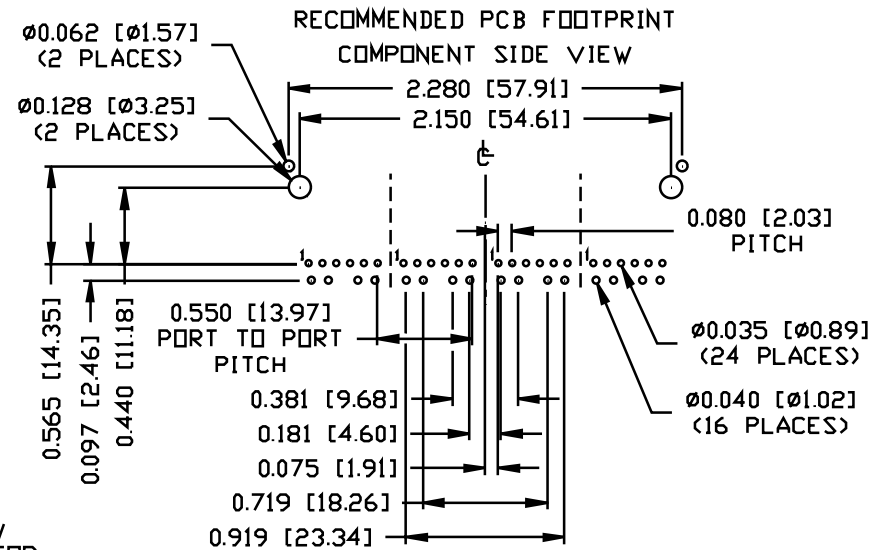
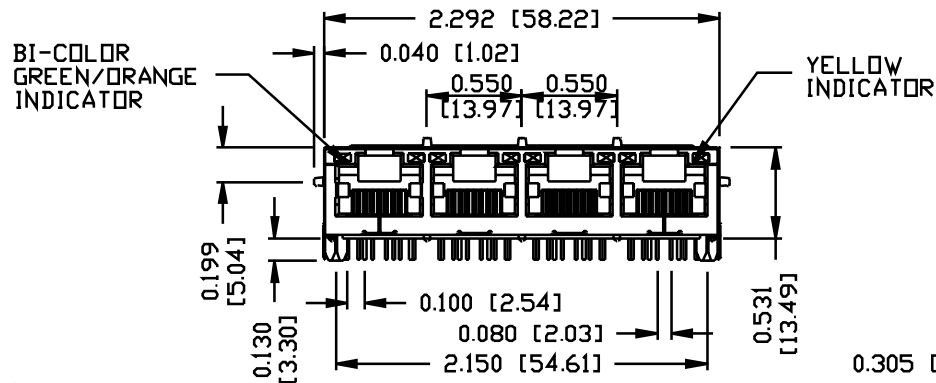
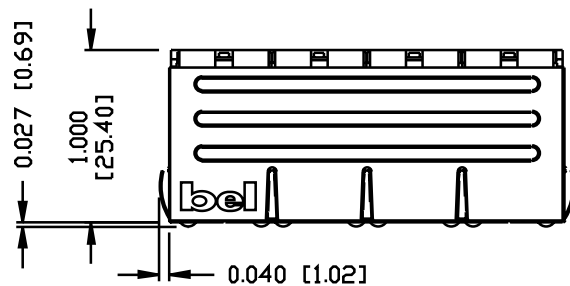
TURNS RATIO	
TX	1CT : 1
RX	1CT : 1
OCL @ 100kHz/100mVRMS 8mA DC BIAS	
	350μH MIN.
INS. LOSS	
1MHz TO 100MHz	-1.0 dB MAX
RET. LOSS (MIN)	
1MHz-30MHz	-18 dB
30MHz-60MHz	-18+20LOG(F/30MHz) dB
60MHz-80MHz	-12 dB
CROSS TALK (TX - RX)	
500kHz-100MHz	-35 dB MIN
CM TO CM REJ	
100kHz-100MHz	-30 dB MIN
CM TO DM REJ	
100kHz-100MHz	-40 dB MIN
HIPOT (Isolation Voltage):	
	1500 Vrms

SCHEMATIC



INTEGRATED CONNECTOR MODULES

0810-1X4T-36 10/100Base-TX Extended Temp MagJack® 1 x 4 with LEDs

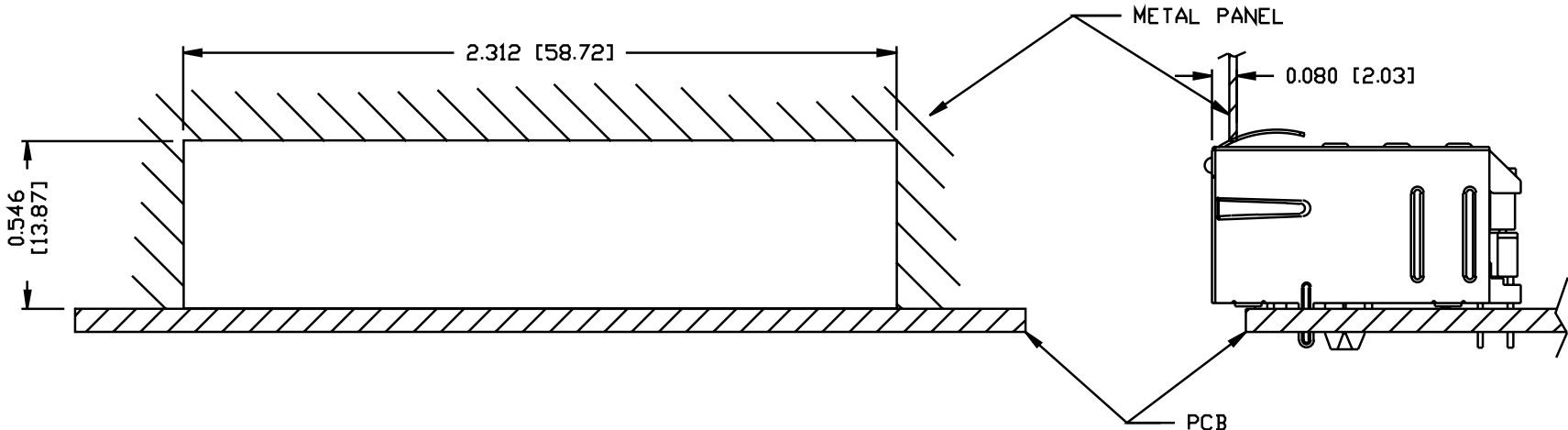


NOTES:

- PLASTIC HOUSING: THERMOPLASTIC PBT
FLAMMABILITY RATING UL 94V-0
- CONTACTS PLATING: 50 MICRO-INCH HARD GOLD PLATING
- PINS: TIN-COATED COPPER WIRE, DIA 0.018 INCH.
- SOLDERABILITY: PER MIL STD. 202, METHOD 208.
- METAL SHIELD: TIN/LEAD PLATED COPPER ALLOY.

INTEGRATED CONNECTOR MODULES
0810-1X4T-36 10/100Base-TX Extended Temp MagJack® 1 x 4 with LEDs

SUGGESTED PANEL OPENING



NOTES:

THE DISTANCE OF PANEL INSIDE SURFACE RELATIVE TO FRONT SURFACE OF PART IS ONLY A SUGGESTION. IN CASE THIS DISTANCE IS DIFFERENT, THE REQUIRED PANEL OPENING DIMENSIONS CHANGE ACCORDINGLY.

PACKING INFORMATION

PACKING TRAY : 0200-0148-17
 PACKING QUANTITY : 30 PCS FINISHED GOOD PER TRAY.
 10 TRAYS (300 PCS FINISHED GOOD) PER CARTON BOX.

NOTE : CARDBOARDS ARE PLACED BETWEEN LAYERS OF PACKING TRAY INSIDE CARTON BOX.
 (INCLUDE THE UPPERMOST AND LOWERMOST TRAY)